

Typical Mounting Set-Up

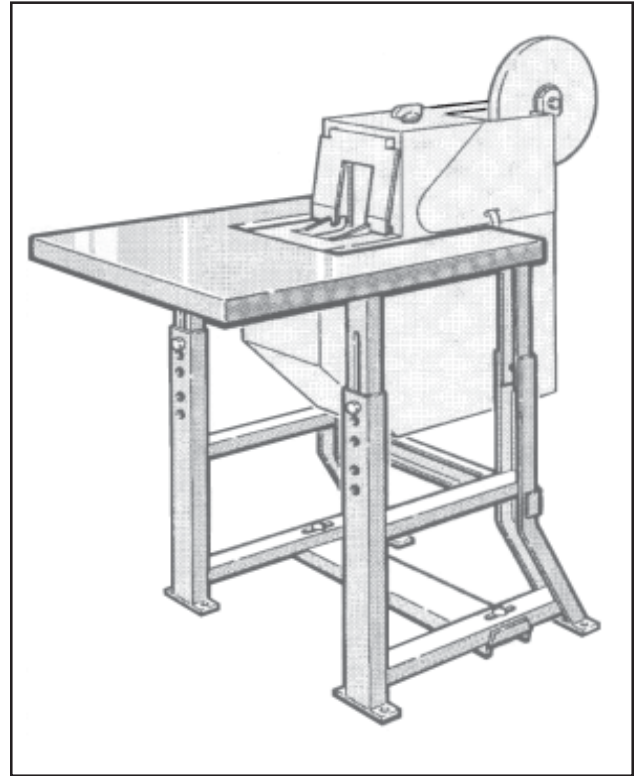
3M-Matic™

P/N 70-0064-0453-0 S867 Single Head Stand Type 10500

Also used with " 3M-Matic"
S847 "L" Clip Applicator
S857 "L" Clip Applicator

Purpose of Attachment:

The P/N 70-0064-0453-0 S867 Single Head Stand provides a self-contained system for supporting the "L" Clip Applicator in the bottom taping position for automatically applying "L" clips of Scotch® Filament Tape to box corners. The single head stand allows vertical adjustment of the top work surface and can be adapted to most conveyor or off line systems.



P/N 70-0064-0453-0 S867 Single Head Stand, Type 10500
(Shown with S867, Type 10500)

Specifications

Single Head Stand consists of:

Quantity	Description
1	Top
2	Table Leg
1	Mounting Bracket
1	Bottom Brace
1	Back Brace
2	Carriage Bolt, 3/8-16 x 2 1/2 Lg.
2	Lock Washer, 3/8
2	Hex Nut, 3/8-16
5	Hex Washer Hd. Screw, 1/4-20 x 3/4 Lg.
5	Fender Washer, 1/4
6	Washer Hd. Hex Nut, 1/4-20
2	Hex Hd. Capscrew, 1/2-13 x 3/4 Lg.
2	Plain Washer, 1/2
2	Channel Washer
2	Square Nut, 1/2-13

Overall Dimensions:

Length - 43 1/2 inches [1105 mm]
Height - 51 1/2 inches [1310 mm] maximum
45 inches [1145 mm] minimum
Width - 23 3/4 inches [605 mm]

Work Surface Height:

32 1/2 inches [825 mm] maximum
30 3/4 inches [780 mm] minimum

Work Surface size:

Length - 25 1/2 inches [650 mm]
Width - 23 3/4 inches [605 mm]

Weight:

Packaged 50 lbs. [22.7 kg] est.
Unpackaged 40 lbs. [18.1 kg]

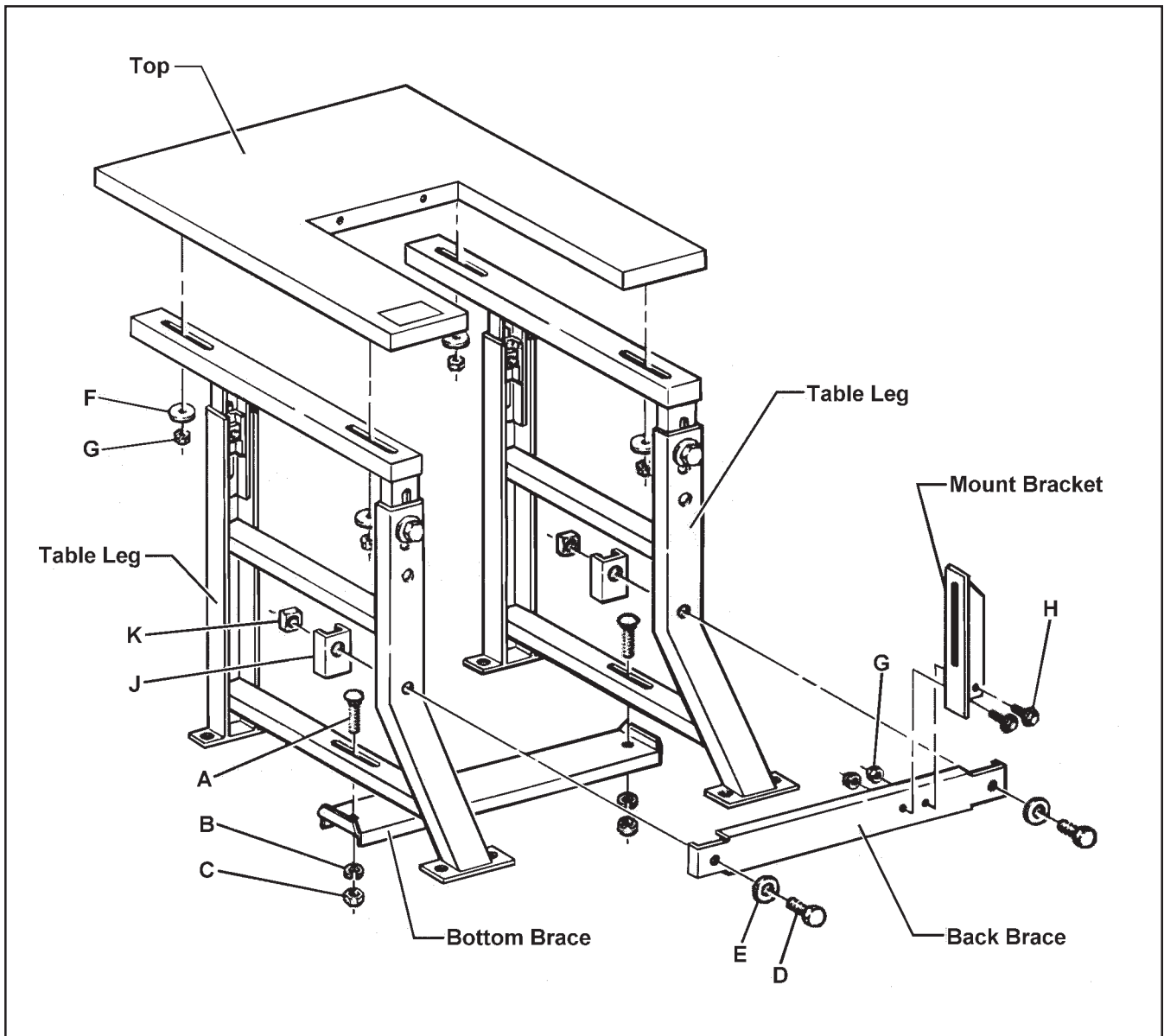


Figure 1 – Stand Assembly - Right Rear View.

Assembly Instructions

The single head stand is shipped disassembled. A packet containing bolts, washers and nuts is provided for easy stand assembly. Refer to figure 1 and follow assembly instructions.

1. Assemble as shown **Bottom Brace to Table Legs** using two each 3/8-16 x 2 1/2 lg. carriage bolts (A), 3/8 lock washers (B) and 3/8-16 hex nuts (C).
2. Assemble as shown **Back Brace to Table Legs** using two each 1/2-13 x 3/4 lg. hex hd. capscrews (D), 1/2 plain washer (E), channel washers (J) and 1/2-13 square nuts (K).
3. Assemble as shown **Top to Table Legs** using four each 1/4 fender washers (F) and 1/4-20 washer hex nuts (G). Locate **Top** in full forward position.
2. Assemble as shown **Mount Bracket to Back Brace** using two each 1/4-20 x 3/4 lg. hex washer hd. screws (H) and 1/4-20 washer hex nuts (G).

Set-Up Instructions

Single Head Stand - Refer to Figure 2

Two **Floor Mounting Holes** are provided in each leg base for securing the stand in position if desired. Floor mounting screws are to be supplied by the customer.

Work Surface Height - Refer to Figure 2

Stand work surface height can be adjusted with or without applicator installed. Loosen (do not remove) four leg screws (L) and one mounting bolt (H) to applicator. Position work surface at desired height and tighten all screws and nuts to secure setting.



WARNING

- **To reduce the risk associated with muscle strain:**
 - Use the appropriate rigging and material handling equipment when lifting or repositioning this equipment

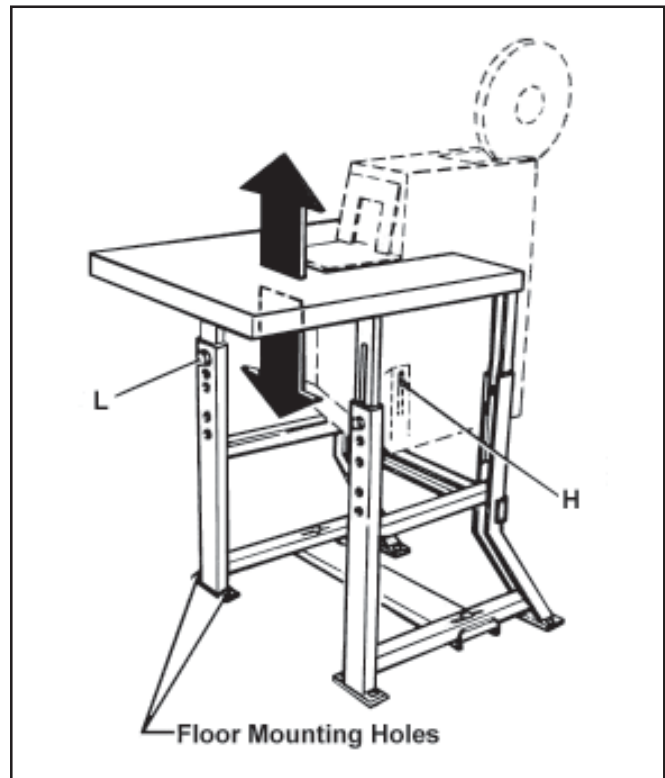


Figure 2 – Work Surface Adjustment - Right Front View.

S-867 Installation - Refer to Figure 3

Install applicator to stand as shown using two each 1/4-20 x 3/4 lg. hex hd. washer screws (H) at front of unit. Remove and discard two soc. hd. capscrews. Assemble one each 1/4-20 x 3/4 lg. hex hd. washer screws (H) and 1/4 fender washer (F) at mount bracket on left rear of stand. Position applicator nest surface (M) level with or just below work surface and tighten screws and nuts to secure applicator in position.

Refer to Applicator Instructions and Parts List for complete set-up and operating procedure.

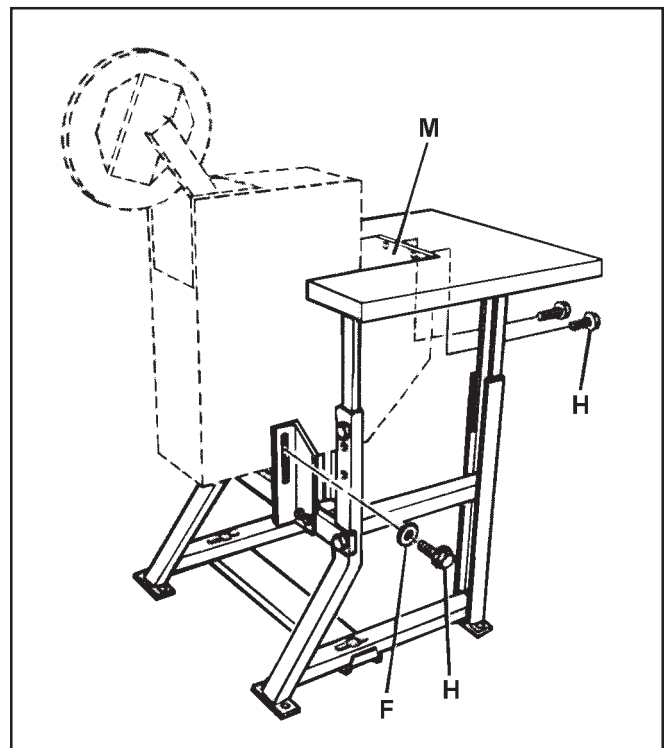


Figure 3 – Applicator Set-up - Left Rear View

Equipment Warranty and Limited Remedy: THE FOLLOWING WARRANTY IS MADE IN LIEU OF ALL OTHER WARRANTIES, EXPRESS OR IMPLIED, INCLUDING, BUT NOT LIMITED TO, THE IMPLIED WARRANTY OF MERCHANTABILITY, THE IMPLIED WARRANTY OF FITNESS FOR A PARTICULAR PURPOSE AND ANY IMPLIED WARRANTY ARISING OUT OF A COURSE OF DEALING, A CUSTOM OR USAGE OF TRADE:

3M warrants that its **3M-Matic™ P/N 70-0064-0453-0 S-867 Single Head Stand, Type 10500** will be free from defects for ninety (90) days after delivery. If any part is proved to be defective within the warranty period, then the exclusive remedy and 3M's and seller's sole obligation shall be, at 3M's option, to repair or replace the part, provided the defective part is returned immediately to 3M's factory or an authorized service station designated by 3M. A part will be presumed to have become defective after the warranty period unless the part is received or 3M is notified of the problem no later than five (5) calendar days after the warranty period. If 3M is unable to repair or replace the part within a reasonable time, then 3M, at its option, will replace the equipment or refund the purchase price. 3M shall have no obligation to provide or pay for the labor required to install the repaired or replacement part. 3M shall have no obligation to repair or replace (1) those parts failing due to operator misuse, carelessness, or due to any accidental cause other than equipment failure, or (2) parts failing due to non-lubrication, inadequate cleaning, improper operating environment, improper utilities or operator error.

Limitation of Liability: 3M and seller shall not be liable for direct, indirect, special, incidental or consequential damages based upon breach of warranty, breach of contract, negligence, strict liability or any other legal theory.

The foregoing Equipment Warranty and Limited Remedy and Limitation of Liability may be changed only by a written agreement signed by authorized officers of 3M and seller.



3M Industrial Adhesives and Tapes
3M Center, Building 220-5E-06
St. Paul, MN 55144-1000

"Scotch" and "3M-Matic" are trademarks of 3M,
St. Paul, Minnesota 55144-1000

Printed in U.S.A.

© 3M 2008 44-0009-2044-5 (B020208)